



# INFRALIGHT

## A30

---

Short Wave Curing System

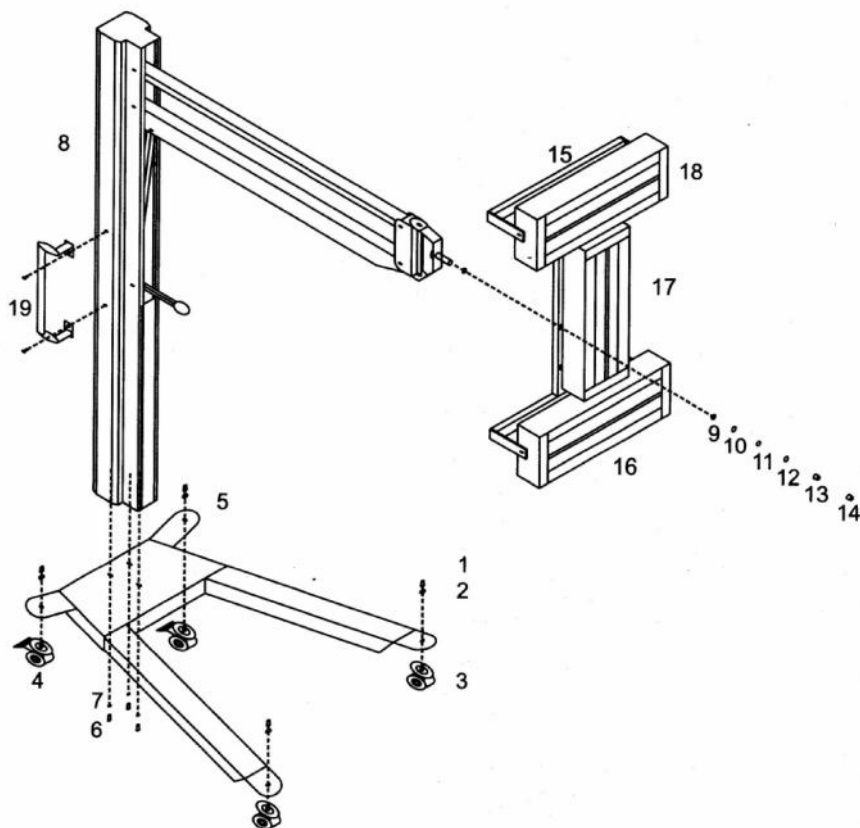


## A30 Short Wave Infrared Curing System

### *Contents of Package*

1. Base (5)
2. 4 x Castors (4)
3. Main frame (8)
4. 2 x Handles (19)
5. Heater Module Support Frame (15) and swing bar assembly
6. 3 x Heater Modules 16, 17, 18. Lamps are pre-installed
7. 2 x spare halogen lamps

### A30



## Installation and Assembly

1. Install castors onto the base with brakes are at the rear
2. Install the main frame (8) onto the base. Fasten securely.
3. Install heater modules 16,17,18 onto the H-Frame/swingbar assembly (15)
4. Install H-frame/ swing bar assembly 15, onto main frame (8)
5. Attach Handles (19) onto the side of the main frame
6. Connect the 3 x heater modules to the 4 pin connectors on the H-frame
7. Connect the 5 Pin female connector from main frame to the male connector on H frame
8. Remove cover from electrical terminal enclosure (red box)
9. Connect mains supply to the terminals. See electrical specification
10. Remove protective packaging from the inside heater modules
11. Inspect lamps for transit damage.

## Electrical Specifications

Connection to the mains supply must be completed by a qualified electrician in accordance with AS/NZS3000:2000. This unit must be connected to a circuit breaker and or external RCD

**Total Power:** 3kW: 3 x 1kW Heating Lamps

**Voltage:** 240VAC, single phase

**Main supply:** Active, neutral and earth

**Total Current Load at full power:** 12.5 Amps

**Lamp Type:** Short Wave Halogen, ruby coated

**Lamp Part Number:** H480T10

## **Safety Warning**

When adjusting the position of the *main heater module support arm*, hold onto the handle ***firmly***, and then release the clamp. Allow the arm to move upwards while holding the handle or pull the arm down to the desired position, then secure the brake. Adjust the position and direction of the heater modules using the handles on the swing bar assembly.

## Operation

1. Set the position of the heater modules by adjusting the main module support arm
2. Turn the main power switch clockwise to I.
3. Set the required time period, turn the timer clockwise.
4. Select Heater Module switches 1,2, and 3
5. Adjust power output to the desired setting. 100% is fully clockwise

**\*After the set time period has finished, the unit will switch off automatically\***

